



电子元器件系列 (中国.厦门)

www.rf-china.com RF-Micom co.,Ltd

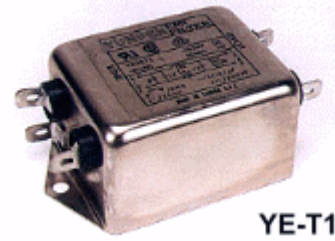
EMail:sales@rf-china.com

Telephone:0086-592-5713956 Fax:5201617

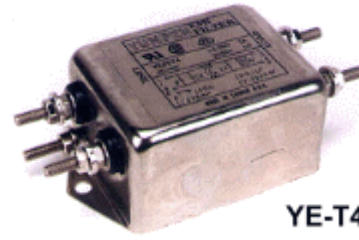
YE-T1, YE-T4 SERIES

1. FEATURES

- Both common mode and normal mode are high noise rejection
- Compact design
- 250 Fasten terminals (YE-T1)
- Screw output terminals M-4 (YE-T4)
- YE05T1 is approved by **UL, CSA** and **VDE**.
- YE05T4 is approved by **UL, CSA** and **VDE**.



YE-T1



YE-T4

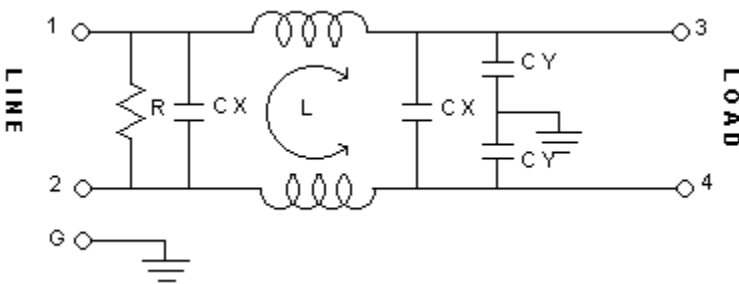
2. SPECIFICATIONS

ITEM \ MODEL		YE05T1/YE05T4	YE10T1/YE10T4	YE15T1/YE15T4	YE20T1/YE20T4	YE30T4
RATED VOLTAGE		250V AC	250V AC	250V AC	250V AC	250V AC
RATED CURRENT		5A	10A	15A	20A	30A
LEAK CURRENT		0.8mA MAX 250V,50HZ	0.8mA MAX 250V,50HZ	0.8mA MAX 250V,50HZ	0.8mA MAX 250V,50HZ	0.8mA MAX 250V,50HZ
TEST VOLTAGE	LINE TO LINE	1450V DC	1450V DC	1450V DC	1450V DC	1450V DC
	LINE TO GROUND	2250V DC	2250V DC	2250V DC	2250V DC	2250V DC
INSULATION RESISTANCE		100M ohm MIN 250VDC	100M ohm MIN 250VDC	100M ohm MIN 250VDC	100M ohm MIN 250VDC	100M ohm MIN 250VDC
DIRECT CURRENT RESISTANCE		0.3 ohm MAX	0.15 ohm MAX	0.1 ohm MAX	0.05 ohm MAX	0.01 ohm MAX
TEMPERATURE RISE		30C MAX	30C MAX	30C MAX	30C MAX	30C MAX
OPERATING TEMPERATURE		-25 ~ +85C	-25 ~ +85C	-25 ~ +85C	-25 ~ +85C	-25 ~ +85C
ATTENUATION	NORMAL MODE 25dbMIN	0.27 ~ 50MHZ	0.28 ~ 25MHZ	0.35 ~ 40MHZ	1.45 ~ 50MHZ	0.6 ~ 50MHZ
	COMMON MODE 25dbMIN	0.10 ~ 30MHZ	0.13 ~ 28MHZ	0.15 ~ 40MHZ	0.90 ~ 50MHZ	1.0 ~ 50MHZ
CX		0.1uF*2	0.1uF*2	0.1uF*2	0.1uF*2	0.1uF*2
CY		3300pF*2	3300pF*2	3300pF*2	3300pF*2	3300pF*2
INDUCTANCE		5mH*2	3mH*2	2mH*2	0.9mH*2	0.5mH*2

3. NOISE ATTENUATION (dB)

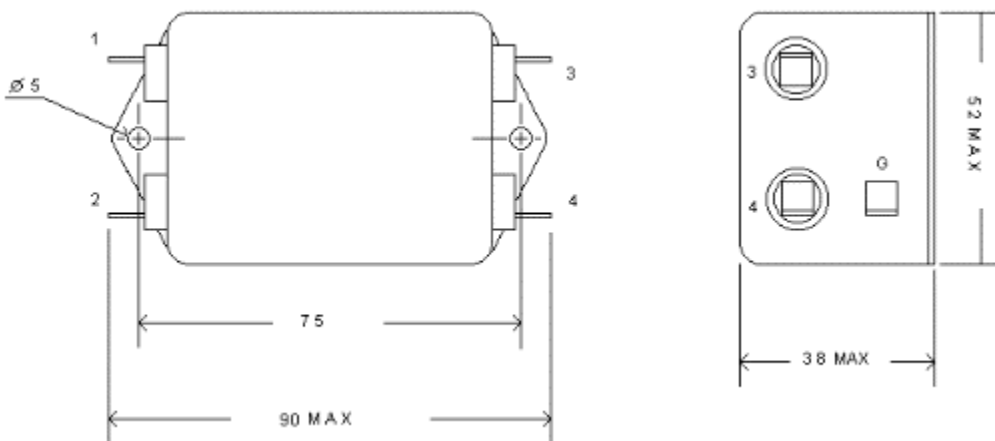
COMMON MODE (LINE TO GROUND) IN 50 OHM SYSTEM							
TYPE	CURRENT RATING	FREQUENCY-MHZ					
		0.15	0.5	1.0	5.0	10.0	30.0
YE05T1/YE05T4	5A	6	42	38	35	37	32
YE10T1/YE10T4	10A	28	42	37	34	34	35
YE15T1/YE15T4	15A	23	39	31	28	30	23
YE20T1/YE20T4	20A	14	22	24	31	34	28
YE30T4	30A	16	24	26	29	38	39
DIFFERENTIAL MODE (LINE TO LINE) IN 50 OHM SYSTEM							
YE05T1/YE05T4	5A	30	40	33	29	31	27
YE10T1/YE10T4	10A	5	44	42	39	40	38
YE15T1/YE15T4	15A	9	39	37	33	36	27
YE20T1/YE20T4	20A	9	32	31	36	39	34
YE30T4	30A	14	22	34	35	42	40

4. CIRCUIT



5. DIMENSION(mm)

YE05T1~YE20T1



YE05T4~YE30T4

