



电子元器件系列 (中国.厦门)


www.rf-china.com RF-Micom co.,Ltd

EMail:sales@rf-china.com

Telephone:0086-592-5713956 Fax:5201617

RF POWER TRANSISTOR

■ Selection Guide for RF Power Transistors

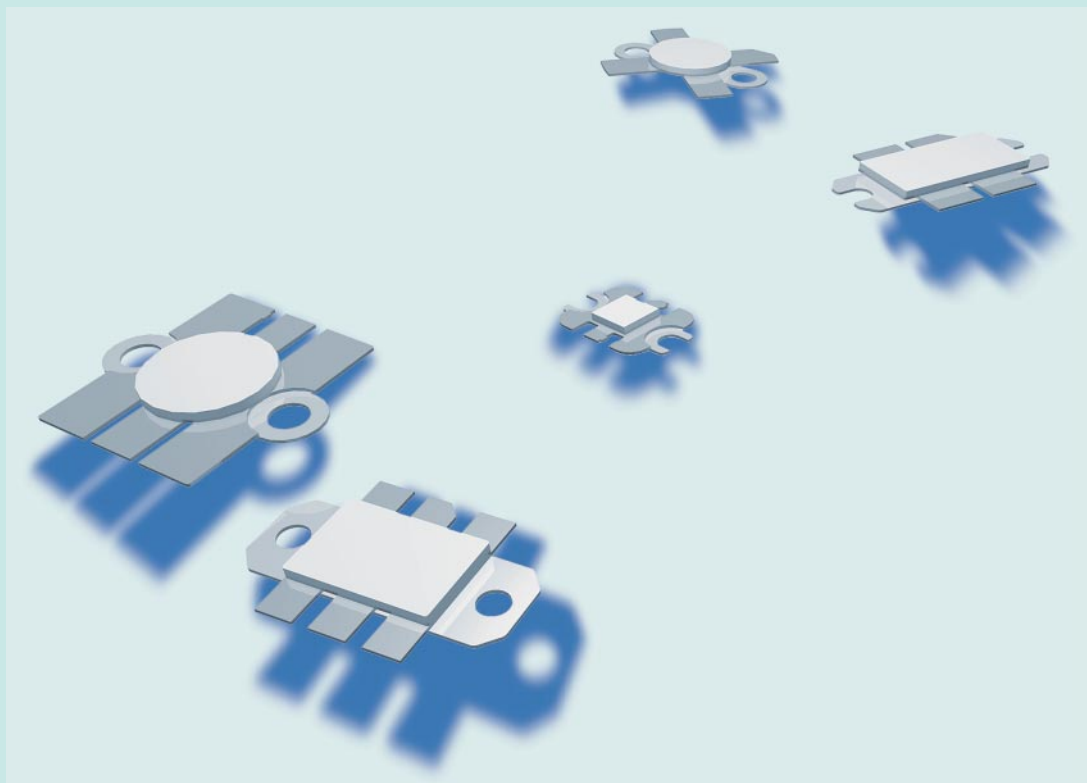
	Package	 ø 12.7
	P _O (W)	
HF 30MHz	10PEP	
	20PEP	
	60PEP	2SC2290
	100PEP	2SC2879
	150PEP	2SC2510*

* : VCC = 28 V

	Package	 ø 12.7
	P _O (W)	
VHF 175MHz	6	
	28	
	32	
	80	2SC2782



■ Main Characteristics of RF Power Transistors

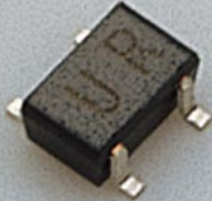
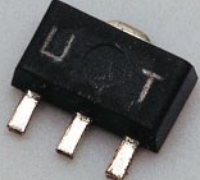

Application	Product Number	Absolute Maximum Ratings (Tc = 25°C)			Pout (W)			
		Vcbo (V)	Pc (Tc = 25°C) (W)	Ic (A)	min	Measuring Conditions		
						Vcc (V)	f (MHz)	Pin (W)
27 to 50 MHz CB Radio Transmitter HAM Radio Transmitter	2SC2290	45	175	20	60 PEP	12.5	28	4 PEP
	2SC2879	45	250	25	100 PEP	12.5	28	8 PEP
	2SC2510	60	250	20	150 PEP	28	28	9 PEP
175 MHz Marine Radio Transmitter HAM Radio Transmitter Business-Use Radio Transmitter	2SC2782	36	220	20	80	12.5	175	18



RF POWER MOSFET

■ Selection Guide for RF Power MOSFETs

	Package		
	P_O (W)		
VHF 230MHz	190	2SK1310A	
UHF 770MHz	90		2SK1739A

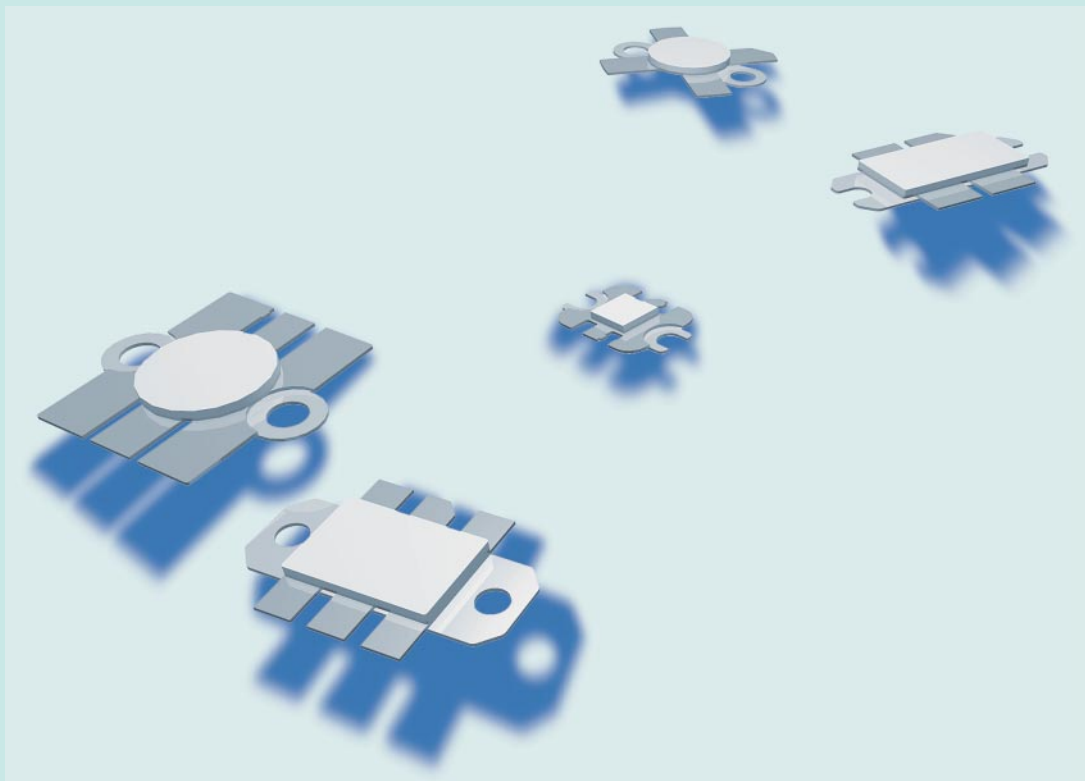
	Package			
	P_O (W)			
500MHz	0.63		2SK3074	
	7.0			2SK3075
800MHz	0.4		2SK2854	
	1.26		2SK2855	
900MHz	0.03	2SK3077		
	0.5		2SK3078	
	3.55			2SK3079*

* : Under development

■ Main Characteristics of RF Power MOSFETs

Application		Product Number	Absolute Maximum Ratings (Tc = 25°C)			Pout (W)			
			V _{DSS} (V)	P _c (Tc = 25°C) (W)	I _D (A)	Measuring Conditions			
						min	V _{DD} (V)	f (MHz)	P _{in} (W)
For TV Broadcasting	VHF	2SK1310A	100	250	12	190W	50	230	10W
	UHF	2SK1739A	80	250	11	90W	40	770	10W
For Cellular Phone	800 MHz	2SK2854	10	0.5	0.5	0.4W	6	849	0.02W
		2SK2855	10	0.5	1.0	1.26W	6	849	0.4W
For Business-Use Radio Transmitter		2SK3074	30	3	1	0.63W	9.6	520	0.02W
		2SK3075	30	20	5	7W	9.6	520	0.5W
For Cellular Phone		2SK3077	10	0.1	0.1	15.0dBmW	4.8	915	0dBmW
		2SK3078	10	3.0	0.5	27.0dBmW	4.8	915	14.5dBmW
		2SK3079*	10	20	5	35.5dBmW	4.8	915	26.0dBmW

* : Under development



RF POWER MODULE

■ RF Power Module Product List by Application

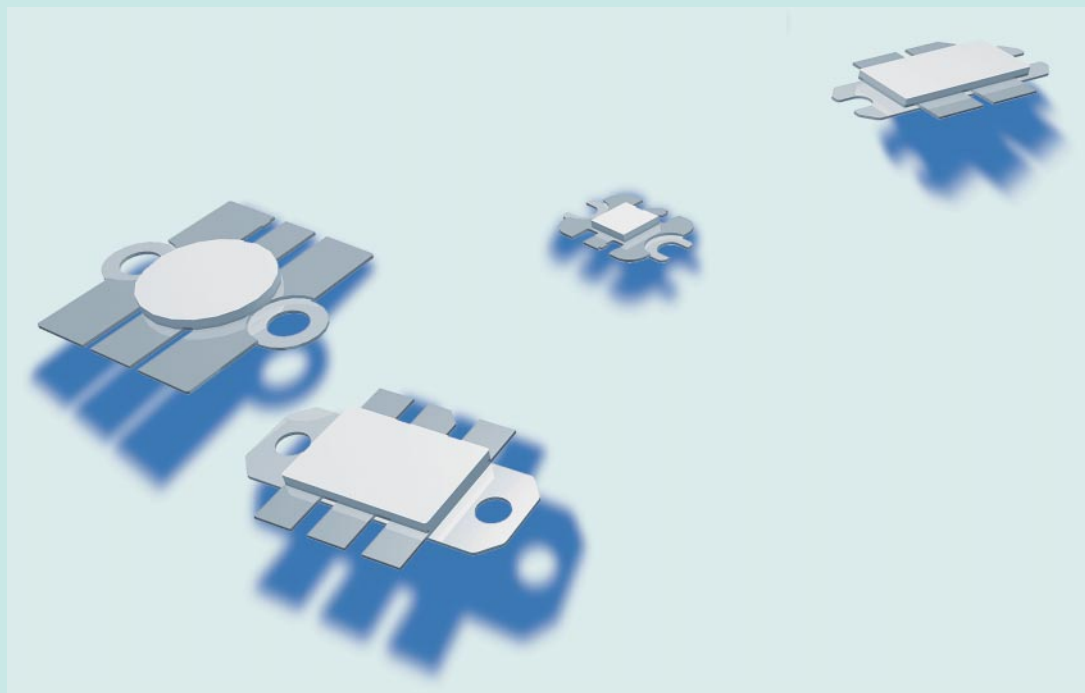
Applications		Product Number	Package Dimensions ◆	Output Power Po (W)	Input Power Pi (W)	Frequency Range f (MHz)	Vcc (V)
For Automobile-Use Equipment	HAM Radio Transmitter	S-AV7	5-53P	28	0.2	144 to 148	12.5 /12.5
		S-AV17	5-53L	60	0.4	144 to 148	12.5 /12.5
	Marine Radio Transmitter	S-AV6	5-53P	28	0.2	154 to 162	12.5 /12.5
	Business-Use Radio Transmitter	S-AV10L	5-53P	14	0.2	135 to 155	12.5 /12.5
		S-AV10H	5-53P	14	0.2	150 to 175	12.5 /12.5
		S-AU27AL	5-53Q	32	0.2	400 to 430	12.5 /12.5 /12.5
		S-AU27AM	5-53Q	32	0.2	450 to 490	12.5 /12.5 /12.5
S-AU27AH	5-53Q	32	0.2	490 to 512	12.5 /12.5 /12.5		
Portable Communication Equipment	HAM Radio Transmitter	S-AU57	5-23E	7	0.02	430 to 450	4 / 9.6
	Business-Use Radio Transmitter	S-AU50L	5-23E	7	0.05	400 to 430	4 / 9.6
		S-AU50M	5-23E	7	0.05	430 to 480	4 / 9.6
		S-AU50H	5-23E	6.5	0.05	470 to 520	4 / 9.6
		S-AU68L	5-23E	7	0.02	400 to 420	4 / 9.6
		S-AU68M	5-23E	7	0.02	450 to 470	4 / 9.6
	Cellular Phone	S-AU80	5-14A	2.8	0.001	880 to 915	2.5 / 3.6

◆ Please refer to pages 10 to 11 for package dimensions.

■ RF Power Module Product List by Product Number

Applications		Product Number	Frequency Range	Characteristics			Measuring Conditions		Package Dimensions ◆
			f (MHz)	Po (W)	η_T (%)	ρ_i (-)	Pi (mW)	Vcc (V)	
VHF	25 W FM Marine Radio Transmitter	S-AV6	154 to 162	28	45	2.0	200	12.5 / 12.5	5-53P
	25 W FM HAM Radio Transmitter	S-AV7	144 to 148	28	45	2.0	200	12.5 / 12.5	5-53P
	10 W FM Business-Use Radio Transmitter	S-AV10L	135 to 155	14	40	2.0	200	12.5 / 12.5	5-53P
		S-AV10H	150 to 175	14	40	2.0	200	12.5 / 12.5	5-53P
	50 W FM HAM Radio Transmitter	S-AV17	144 to 148	60	45	2.0	400	12.5 / 12.5	5-53L
UHF	25 W FM Business-Use Radio Transmitter	S-AU27AL	400 to 430	32	35	2.5	200	12.5 / 12.5 / 12.5	5-53Q
		S-AU27AM	450 to 490	32	35	2.5	200	12.5 / 12.5 / 12.5	5-53Q
		S-AU27AH	490 to 512	32	35	2.5	200	12.5 / 12.5 / 12.5	5-53Q
	5 W FM Portable Business-Use Radio Transmitter	S-AU50L	400 to 430	7	40	3.0	50	4 / 9.6	5-23E
		S-AU50M	430 to 480	7	40	2.5	50	4 / 9.6	5-23E
		S-AU50H	470 to 520	6.5	40	4.5	50	4 / 9.6	5-23E
	5 W FM Portable HAM Radio Transmitter	S-AU57	430 to 450	7	40	3.0	20	4 / 9.6	5-23E
	5 W FM Portable Business-Use Radio Transmitter	S-AU68L	400 to 420	7	35 ^{*1}	5.0 ^{*1}	20	4 / 9.6	5-23E
		S-AU68M	450 to 470	7	40 ^{*1}	2.5 ^{*1}	20	4 / 9.6	5-23E
	800 MHz	2 W GSM Cellular Radio	S-AU80	880 to 915	2.8	40 ^{*5*6}	30 ^{*5}	1	2.5 / 3.6

◆ Please refer to pages 10 to 11 for package dimensions. *1: @Po = 7 W *2: @Po = 6 W *3: @Po = 31 dBmW *4: @Po = 31.5 dBmW *5: @Po = 34.5 dBmW *6: @f = 915 MHz

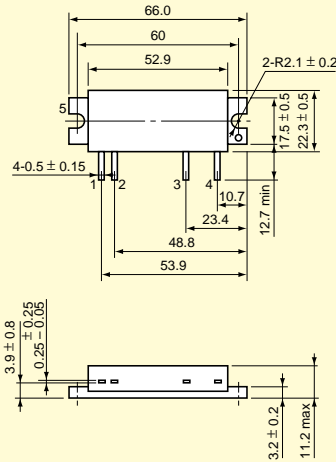


RF POWER MODULE

RF Power Module Package Dimensions

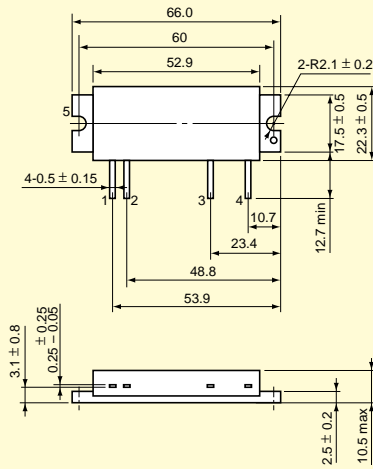
Unit: mm

5-53L



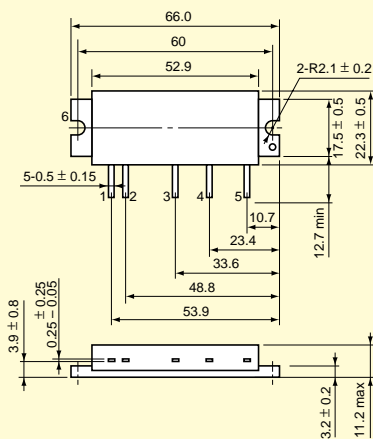
1. High-Frequency Input
2. VCON
3. VCC
4. High-Frequency Output
5. Ground (Flange)

5-53P



1. High-Frequency Input
2. VCON
3. VCC
4. High-Frequency Output
5. Ground (Flange)

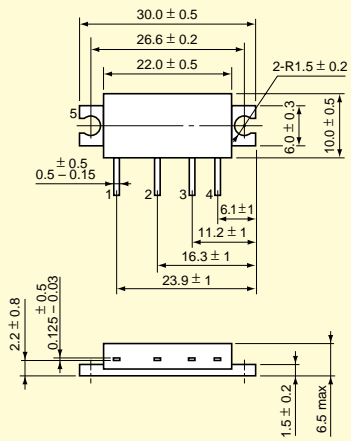
5-53Q



1. High-Frequency Input
2. VCC1
3. VCC2
4. VCC3
5. High-Frequency Output
6. Ground (Flange)

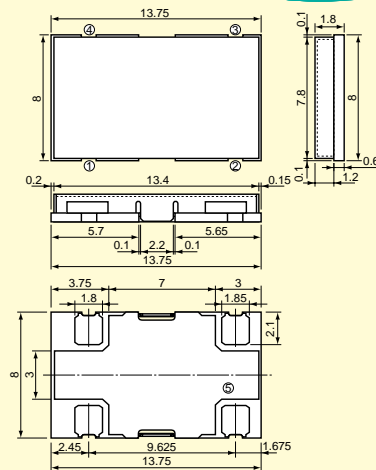
Unit: mm

5-23E



1. High-Frequency Input
2. VGG
3. VDD
4. High-Frequency Output
5. Ground (Flange)

5-14A



1. Pin
2. VGG
3. VDD
4. High-Frequency Output
5. GND